

# MILANO 200

## DOUBLE DOOR SCREEN

### OWNER'S GUIDE AND INSTALLATION MILANO 200 RETRACTABLE SCREEN DOOR

Thank you for choosing the GENIUS® MILANO retractable screen door. If you purchased a custom or stock unit, or don't need to modify the size of the retractable screen, please follow this instruction packet.

These instructions demonstrate installation methods for double panel hinged entry doors. For help installing on a sliding patio or other door please contact us or visit [www.geniusscreens.com](http://www.geniusscreens.com).

#### Installation Tools

Power Screwdriver with #2 Phillips Bit

3/32" (2mm), 1/8" (3mm) Drill Bits

#1 Phillips Screwdriver

Two People Recommended

Appropriate Safety Equipment

Pencil



Installation Questions? Replacement Parts?

**WE CAN ASSIST YOU.**

**1-866-523-9511**

Watch the installation video at: [www.geniusscreens.com/videos](http://www.geniusscreens.com/videos)



**IMPORTANT**

Be sure to read all instructions before installing to ensure proper fit and function. Retractable screen doors are not intended to provide security, or restrain objects, animals, or persons.

**OPERATION INSTRUCTIONS:**

To open the screen, grasp both handles and release the magnet by slightly flexing the pull bar. Once the magnetic seal has been released let go of the handles and allow the screen to retract by itself. NEVER PUSH THE SCREEN CLOSED. For safety the screen is designed to retract at a set speed. Pushing it closed any faster may cause the screen to come out of the track, roll unevenly and cause damage to the fabric or other components.

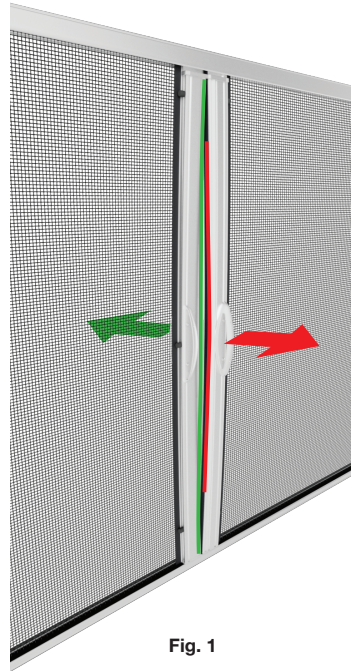


Fig. 1

**IMPORTANT:**

Before you begin installing your new retractable screen door, it is important to note this product requires support underneath the bottom track by either the sill / threshold, or a filler board. This product **CANNOT be installed on a sloped surface. The opening must also be square, level and plumb.** Some modifications to your opening may be required. See Page 13 for more details.

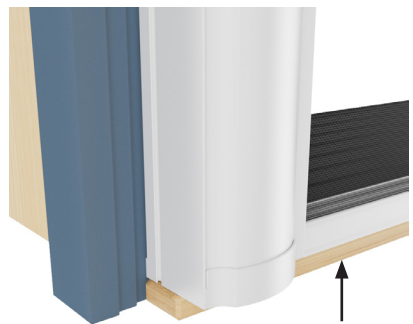


Fig. 2

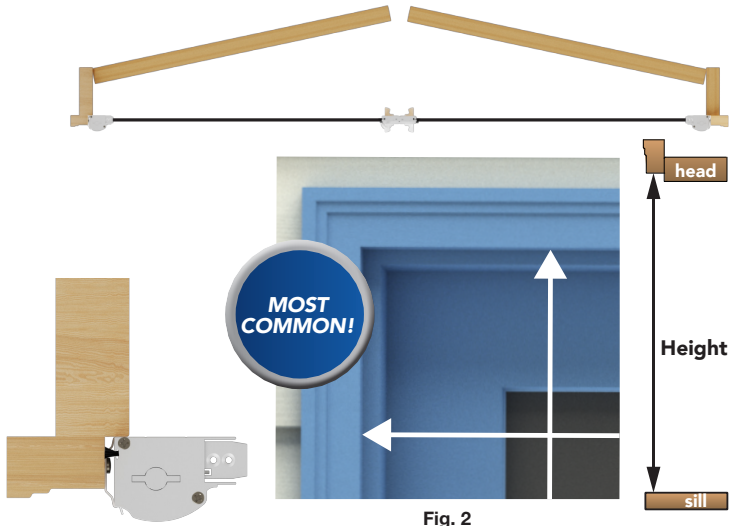
Filler Board

## OPTION A (RECOMMENDED) (PAGE 6)

### INSIDE THE FRAME INSTALLATION

(Recess Mounted) at the Brickmold

Note: We recommend ordering the screen at  
(Opening Width - 1/16" (1.5mm)) x (Opening Height - 1/16" (1.5mm))

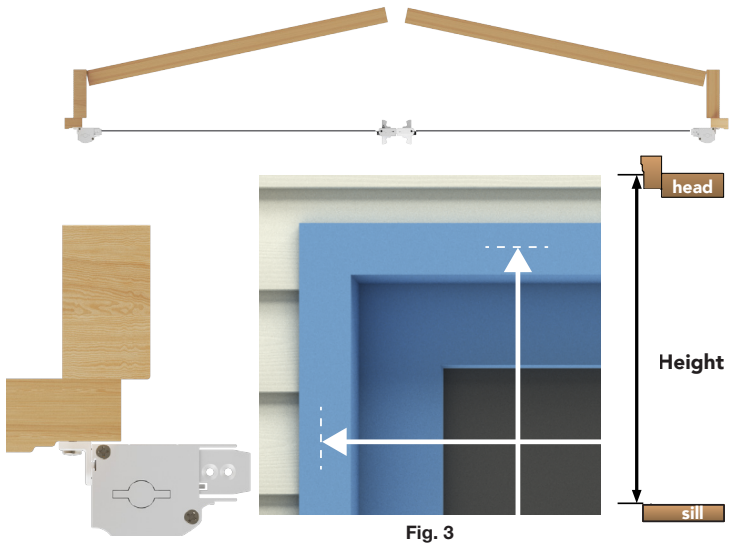


## OPTION B (PAGE 11)

### OUTSIDE THE FRAME INSTALLATION

(Surface Mounted)

Note: We will build screen at measurement given (+/- 1/16" or 1.5mm)



Option A (Recommended) ONLY  
INSIDE THE FRAME INSTALLATION = **Green**

Option B  
ONLY OUTSIDE THE FRAME = **Blue**

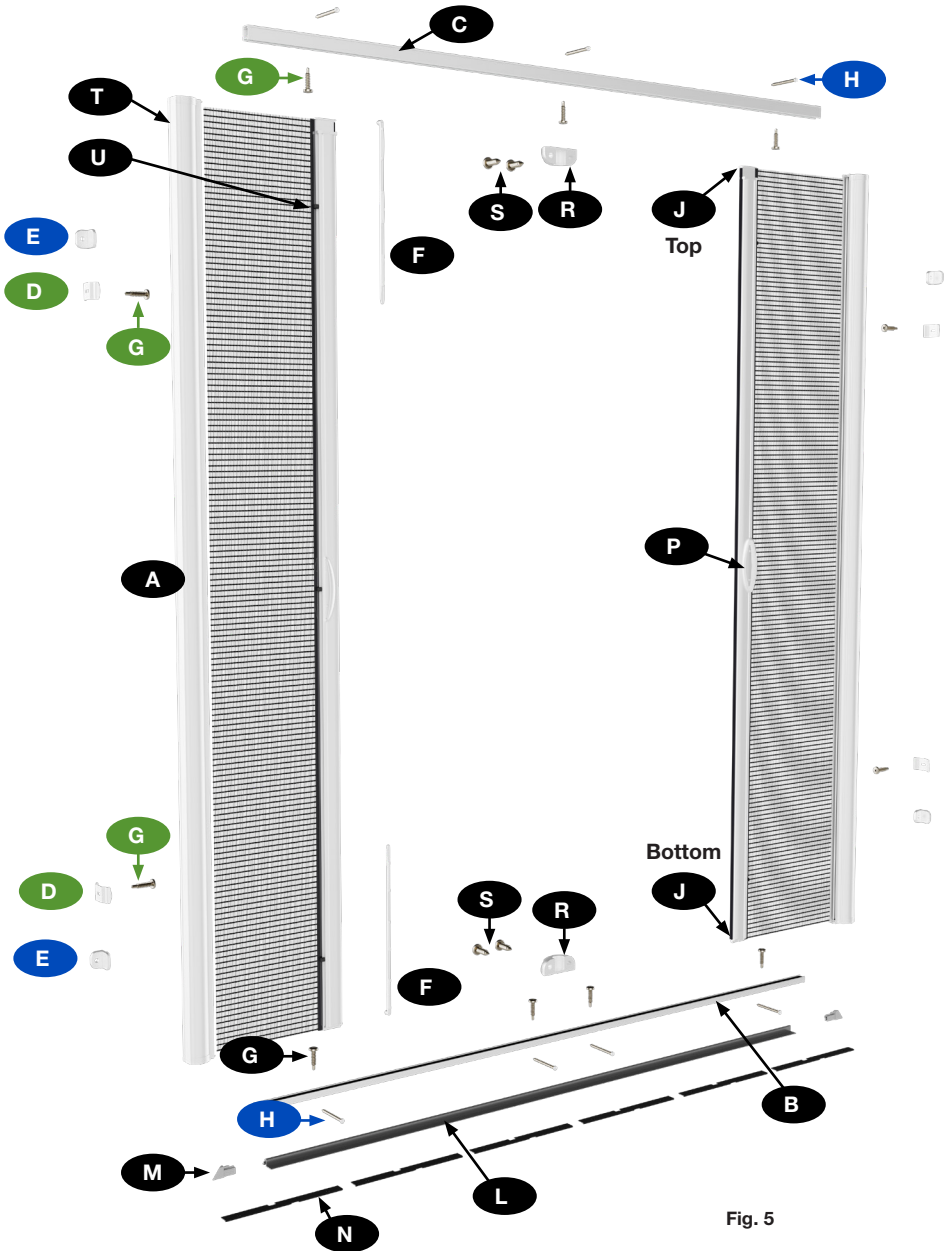
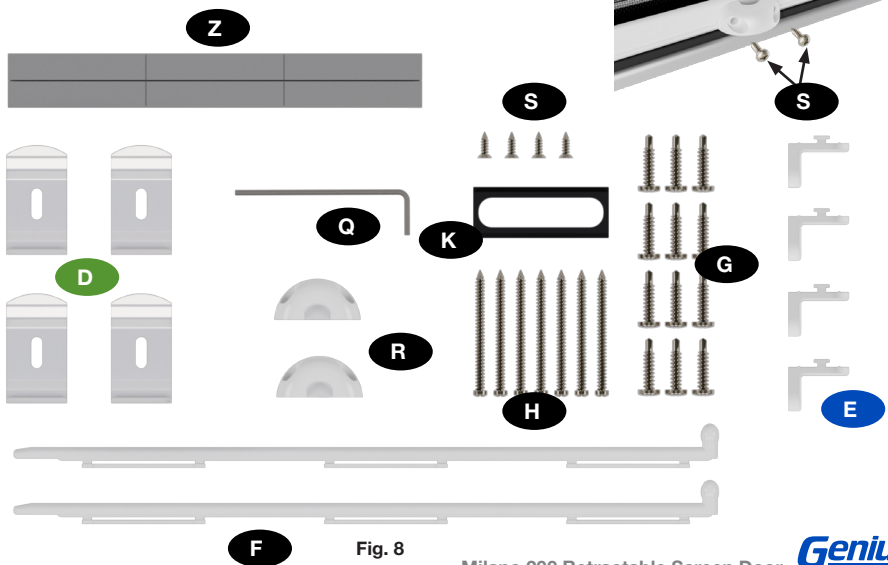
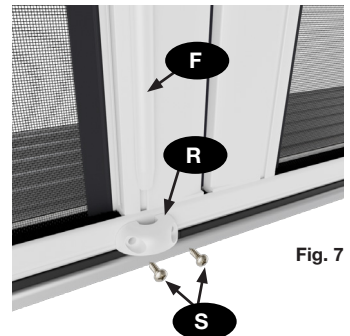
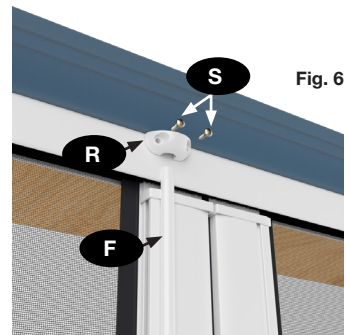
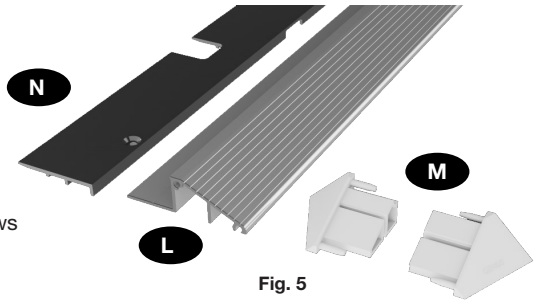


Fig. 5



# PARTS LIST

- A** - Screen Cassette Assembly
- B** - Bottom Guide Rail
- C** - Top Guide Rail
- D** - Recess Mount Clips
- E** - Surface Mount Clips
- F** - Slide Bolts
- G** - #8 x 3/4" (19mm) Phillips Panhead Screws
- H** - #6 x 1-3/4" (44mm) Phillips Screws
- J** - Pull Bar End Cap (Top and Bottom)
- K** - Pile Opener
- L** - Threshold Transition (optional, ordered separately)
- M** - Threshold Transition End Caps (optional, ordered separately)
- N** - Sloped Threshold Shim (optional, ordered searately)
- P** - Handle
- Q** - Allen Wrench
- R** - Slide Bolt Retainer
- S** - #4 x 3/8" (9.5mm) Phillips Panhead Screws
- T** - Pile/ Weatherstrip
- U** - Rubber Bumpers
- Z** - Rubber Shims (optional)



## INSTALLATION OPTION A: INSIDE THE FRAME MOUNTING LOCATION (RECESS)

The **A-Screen Cassettes** will be mounted inside the door frame using **D-Recess Mounting Clips**.

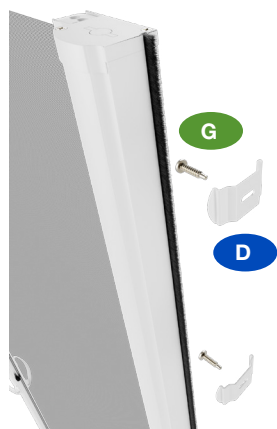


Fig. 9

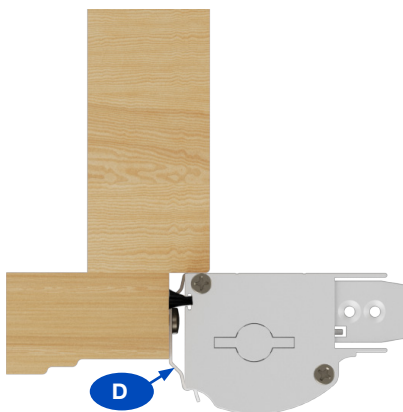


Fig. 10

### 1. OPTIONAL - INSTALLING THE SLIDE BOLT ACCESSORY LOCK

Identify which of the two screen panels will be the one most often used to enter and exit the home. Install the Slide Bolt Accessory Lock on the interior or exterior side less used.

Temporarily remove the **J-Pull Bar End Cap** on the top end and insert the other **F-Slide Bolt**. Re-install the **J-Pull Bar End Cap** [FIG. 11]. In the interior or exterior groove of the Pull Bar, slide in an **F-Slide Bolt** at the bottom. Make certain the pointed end of each **F-Slide Bolt** faces out [FIG. 12].

**Note:** Slide Bolt Accessory Locks are not compatible with all opening types. If the **F-Slide Bolt** is on the interior, ensure the door frame will not be in the way of the **R-Slide Bolt Retainer** (Step 7).

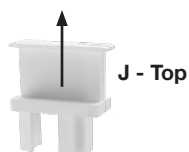


Fig. 11

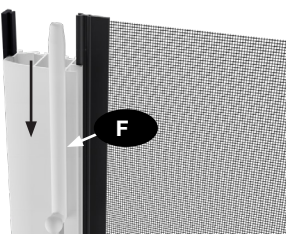
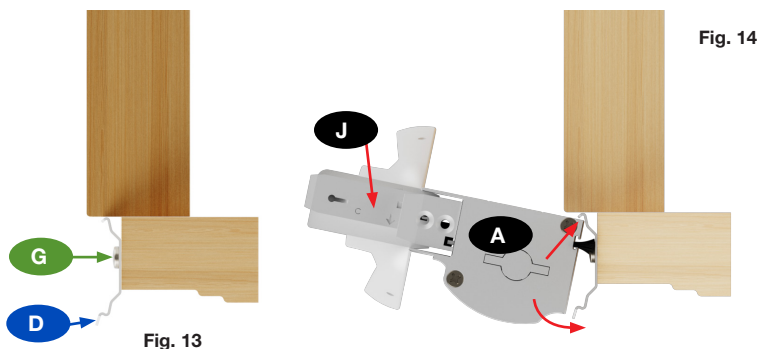


Fig. 12

## 2. INSTALLING THE CASSETTES

Position the **D-Recess Mounting Clips** against the brickmold and jamb 20" from the top and bottom of the door opening and secure with **G-#8 x 3/4"(19mm) Phillips Panhead Screws** [FIG. 13]. Taller screens may come with an additional clip for the center of the cassette. With the taller plastic **J-Pull Bar End Cap** towards the top, snap the **A-Screen Cassette Assembly** onto the mounting clips [FIG 14]. Do not install the second **A-Screen Cassette Assembly** yet.



## 3. INSTALLING THE TOP AND BOTTOM GUIDE RAILS AND SECOND CASSETTE

With the indented groove facing the outside [FIG. 18], slide the **B-Bottom Guide Rail** fully onto the tab on the **A-Screen Cassette Assembly End Cap** [FIG. 15]. With assistance, repeat for the **C-Top Guide Rail** [FIG. 16, 17].

Turn the second **A-Screen Cassette Assembly** so the taller **J-Pull Bar End Cap** is at the top. On the opposite end of the top and bottom guide rails, insert the tabs of the second **A-Screen Cassette Assembly**. Move the Cassette and guide rails into position within the door opening then clip the second **A-Screen Cassette Assembly** into the **D-Recess Mount Clips**.

If it seems a bit too snug to get the second **A-Screen Cassette Assembly** positioned and locked to the **D-Recess Mount Clips**, you may trim up to 1/8" off one end of both the **C-Top Guide Rail** and **B-Bottom Guide Rail** using a saw with a metal-cutting blade and try again.



Fig. 18

## 4. SECURE THE RAILS WITH SCREWS

Secure the **C-Top Guide Rail** with three **G-#8 x 3/4" (19mm) Phillips Panhead Screws** [FIG. 19]. Please note: the number of installation screws will vary depending on the opening size. Pre-drill if necessary with a 1/8" drill bit.

When installing the **C-Top Guide Rail**, use the convenient **K-Pile Opener** included with this kit, to temporarily separate the two insect piles. This will make for easier viewing and installation of the screws [FIG. 20].

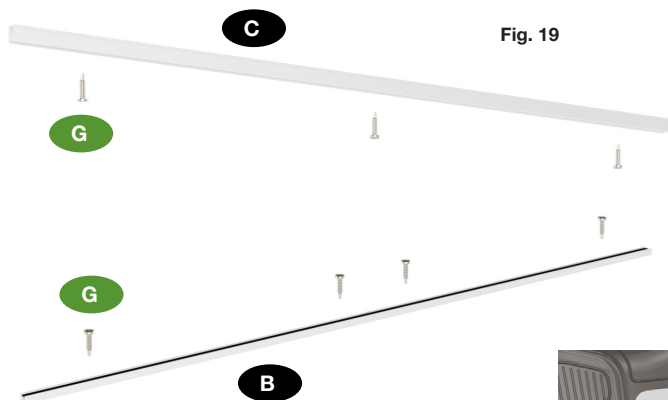


Fig. 19

Do not secure  
**B-Bottom Guide Rail**  
yet.

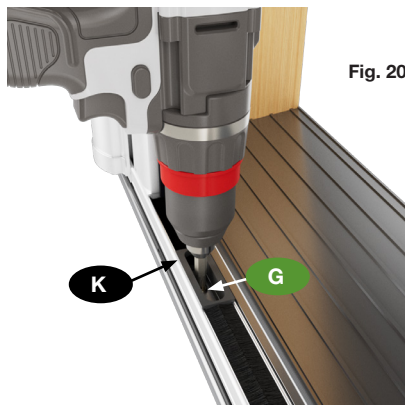


Fig. 20

Gently operate the unit by operating the **P-Handles** one at a time and ensure the panels move freely. Do not step on the bottom guide yet. Note any tight or loose areas.

## 5. DOOR THRESHOLDS / SILLS

There are many different door threshold/sill designs. Be aware of the threshold type and know that it is important to have or create a level and stable surface when installing the **B-Bottom Guide Rail**. The following are two of the more common threshold/sill designs and ways to install the **B-Bottom Guide Rail**. Identify if a threshold transition or shims will be installed on the unit before securing the bottom guide.



Flat Threshold  
Porte Plats

Fig. 21



Sloped Threshold

Fig. 22

## OPTIONAL THRESHOLD TRANSITION

You may choose to install a **L-Threshold Transition** with **M-End Caps**. This optional feature is ordered separately and helps protect the **B-Bottom Guide Rail** and it is also a nice aesthetic feature. The **L-Threshold Transition** may be installed toward the interior or exterior of the home or use two for this feature on both sides of the **B-Bottom Guide Rail**.

Insert the **M-Threshold Transition End Caps**, and slide the lip of the **L-Threshold Transition** under the **B-Bottom Guide Rail**.

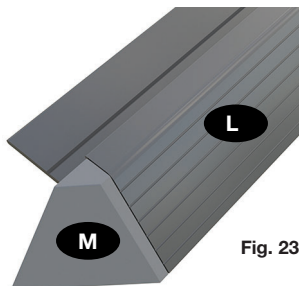


Fig. 23

### Profiles of Bottom Guide Rail and Threshold Transition

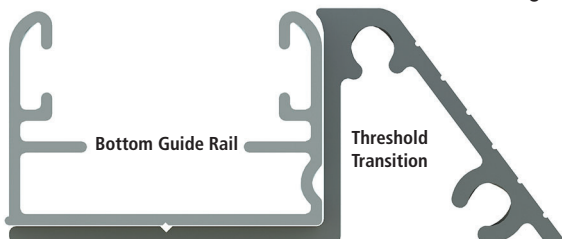


Fig. 24

## FLAT THRESHOLD / SILL (REFERENCE FIG. 21)

If there is a gap between the **B-Bottom Guide Rail** (or optional **L-Threshold Transition**) and the Flat Threshold/Sill, clean the surface and use plastic, metal or other non-biodegradable flat shims to fully support the **B-Bottom Guide Rail**. Leave 1/2" (13mm) gap against the door jamb on both ends for water drainage. Check the shimming by repeatedly lifting and lowering the pull bar as you operate the screen panel. There should be just a little vertical movement. Adjust the shims until satisfied with the operation. Trim and paint shims if desired.

Then, mount the **B-Bottom Guide Rail** directly to the threshold/sill using four or five **G-#8 x 3/4" (19mm) Phillips Panhead Screws** [FIG. 19]. Pre-drill with 1/8" (3mm) drill bit if necessary. Position screws 6" (150mm) in from each end and equally space the remaining screws. Please note: the number of installation screws may vary depending on the opening size.

## SLOPED THRESHOLD / SILL (REFERENCE FIG. 22)

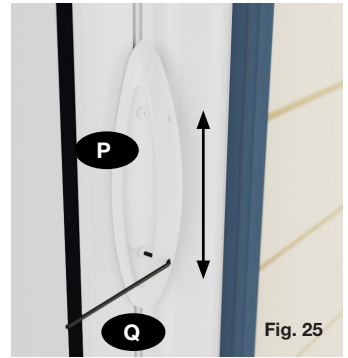
### SHIMMING REQUIRED

Make a flat and stable surface by installing plastic, metal or other non-biodegradable **N-Sloped Threshold Shims** under the **B-Bottom Guide Rail**. 7/8" (22mm), 1-1/2" (38mm) or 2-3/16" (56mm) wide shims are available separately if desired. Leave 1/2" (13mm) gap against the door jamb on both ends for water drainage. Check the shimming by repeatedly lifting and lowering the pull bar as you gently operate the screen panel. There should be a little vertical movement. Adjust the shims until satisfied with the operation. Paint shims if desired.

Then, mount the **B-Bottom Guide Rail** directly to the threshold/sill using four or five **G-#8 x 3/4" (19mm) Phillips Panhead Screws** [FIG.19]. Pre-drill with 1/8" (3mm) drill bit if necessary. Position screws 6" (150mm) in from each end and equally space the remaining screws. Please note: the number of installation screws will vary depending on the opening size.

## 6. ADJUSTING THE HANDLES

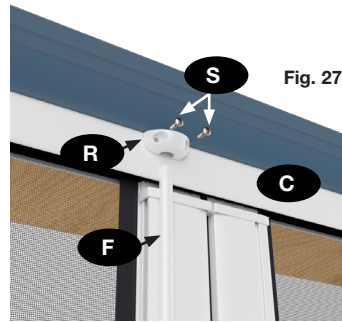
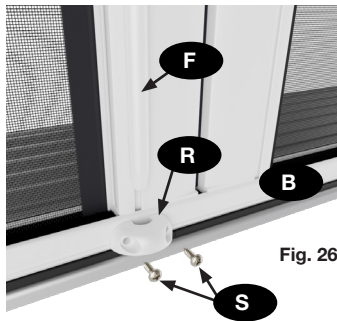
Adjust the **P-Handle** heights by loosening the Allen-Head Screws, move the **P-Handle** as desired and retighten screws. For your convenience, the **Q-Allen Wrench** is located in the accessory kit for this step [FIG. 25].



## 7. OPTIONAL INSTALLING SLIDE BOLT RETAINERS (APPLICABLE ONLY IF STEP 1 WAS IMPLEMENTED)

Close the screen doors to the center of the opening. Now, on the **B-Bottom Guide Rail** and the **C-Top Guide Rail**, make pencil marks to the center of the channel in which you've installed the **F-Slide Bolts**.

Center the bottom **R-Slide Bolt Retainer** to your channel mark, with the bottom of the Retainer flush to the bottom of the **B-Bottom Guide Rail**. Pencil mark the position for the screws, set the Retainer aside, and drill 3/32" holes. Then, attach the **R-Slide Bolt Retainer** with (2) **S-#4 x 3/8" (9.5mm) Phillips Panhead Screws** using a #1 Phillips screwdriver [FIG. 26]. Repeat for the Top Retainer [FIG. 27].



That's it. Enjoy your new Genius Retractable Screen!

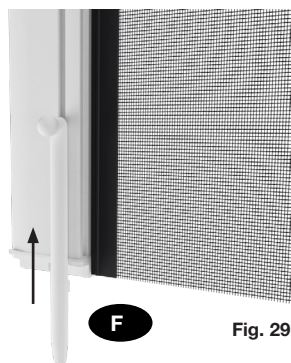
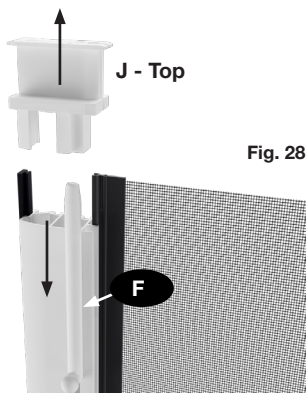
For more great retractable screen ideas for your home, please visit [www.geniusscreens.com](http://www.geniusscreens.com).

## INSTALLATION OPTION B: OUTSIDE THE FRAME (SURFACE MOUNTED)

### 1. OPTIONAL - INSTALLING THE SLIDE BOLT ACCESSORY LOCK

Identify which of the two screen panels will be the one most often used to enter and exit the home. You will install the Slide Bolt Accessory Lock on the interior side less used. The lock may be installed on the interior or exterior side.

Temporarily remove the **J-Pull Bar End Cap** on the top end and insert the other **F-Slide Bolt**. Re-install the end cap [FIG. 28]. In the groove of the Pull Bar, slide in an **F-Slide Bolt** at the bottom. Make certain the pointed end of each **F-Slide Bolt** faces out [FIG. 29].

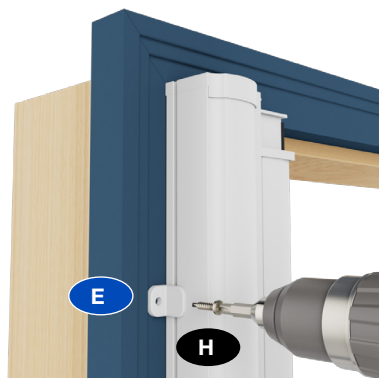
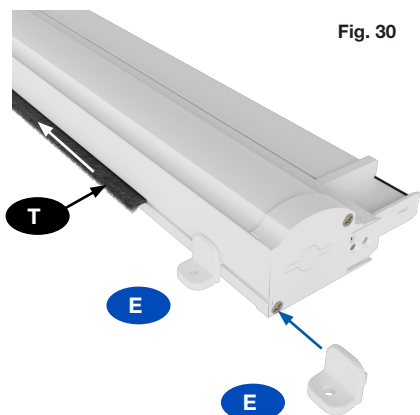


### 2. INSTALLING THE CASSETTES

Turn both **A-Screen Cassettes** so that the taller of the plastic **J-Pull Bar End Cap** is at the top. Remove and discard the **T-Pile/Weatherstrip** from the back of both **A-Screen Cassette Assemblies**. Slide two **E-Surface Mount Clips** into the groove on the rear of each of the **A-Screen Cassette Assemblies** before proceeding [FIG. 30]. Note, taller screens may include an extra mounting clip for the center of cassette.

Position one of the **A-Screen Cassette Assemblies** on the opening, and use **G-#8 x 3/4"(19mm) Phillips Panhead Screws** to secure **E-Surface Mount Clips** to the opening [FIG. 31]. Pre-drill if necessary using 1/8" (3mm) bit. **DO NOT** install the second **A-Screen Cassette Assembly** yet.

**IMPORTANT:** There must be at least 3/8" (9.5mm) overlap of the **C-Top Guide Rail** to ensure there is room for the installation screws.

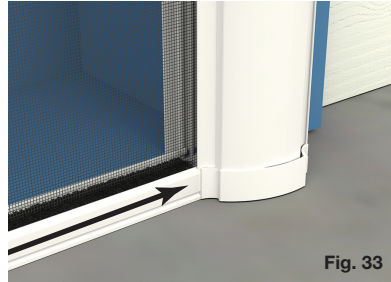
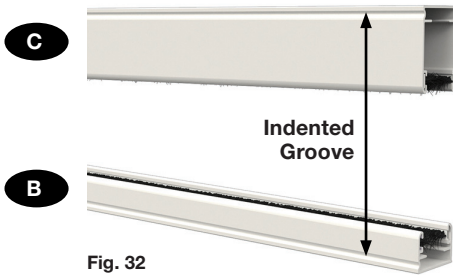




### 3. INSTALLING THE TOP AND BOTTOM GUIDE RAILS AND SECOND CASSETTE

With the indented groove facing the outside [FIG. 32], slide the **B-Bottom Guide Rail** fully onto the tab on the **A-Screen Cassette Assembly End Cap** [FIG. 33]. With assistance, repeat for the **C-Top Guide Rail**.

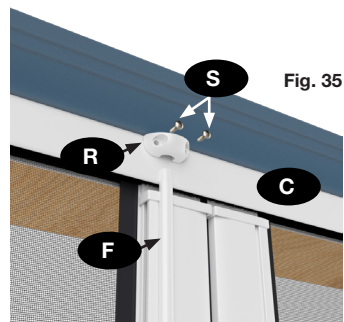
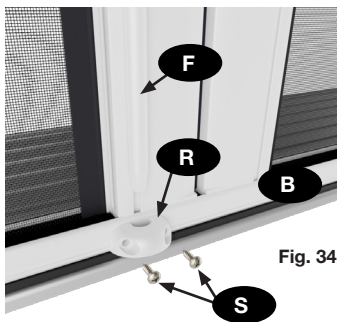
Turn the second **A-Screen Cassette Assembly** so the taller **J-Pull Bar End Cap** is at the top. On the opposite end of the top and bottom guide rails, insert the tabs of the second **A-Screen Cassette Assembly**. Move the Cassette and guide rails into position within the door opening then secure to brickmold using **G-#8 x 3/4" (19mm) Phillips Panhead Screws** through **E-Surface Mount Clips**. Pre-drill brickmold with 1/8" drill bit if necessary. Ensure the unit is installed square.



### 4. OPTIONAL INSTALLING SLIDE BOLT RETAINERS (APPLICABLE ONLY IF STEP 1 WAS IMPLEMENTED)

Close the screen doors to the center of the opening. Now, on the **B-Bottom Guide Rail** and the **C-Top Guide Rail**, make pencil marks to the center of the channel in which you've installed the **F-Slide Bolts**.

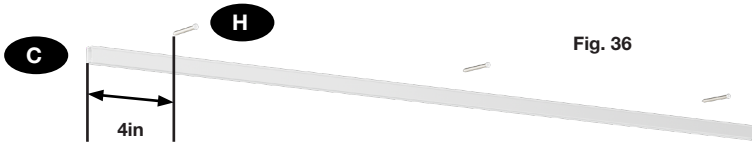
Center the bottom **R-Slide Bolt Retainer** to your channel mark, with the bottom of the Retainer flush to the bottom of the **B-Bottom Guide Rail**. Pencil mark the position for the screws, set the Retainer aside, and drill 3/32" holes. Then, attach the **R-Slide Bolt Retainer** with (2) **S-#4 x 3/8" (9.5mm) Phillips Panhead Screws** using a #1 Phillips screwdriver [FIG. 36]. Repeat for the Top Retainer [FIG. 37].



## 5. SECURE THE RAILS WITH SCREWS

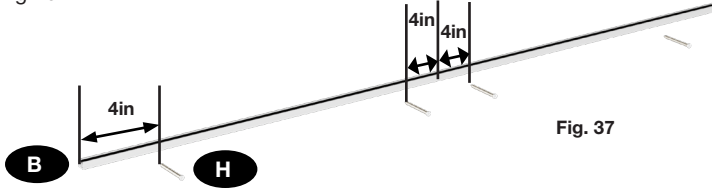
### C-Top Guide Rail:

Locate the decorative trim groove [FIG. 34] on the front surface of the **C-Top Guide Rail** and in this groove drill 1/8" (3mm) holes located 4" (102mm) in from each end and the other two 4" (102mm) from the center. Drill all the way through both sides of the **C-Top Guide Rail**. Secure the **C-Top Guide Rail** to the Door frame using the **H- #6x 1-3/4" (44mm) Phillips Screws**. Do not over tighten.



### B-Bottom Guide Rail:

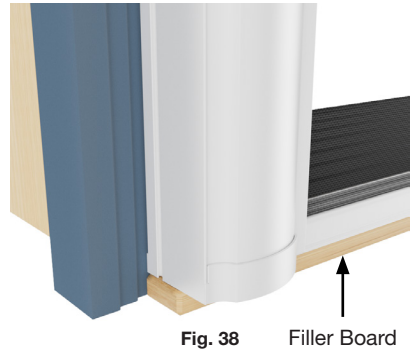
Locate the decorative trim groove [FIG. 34] on the front surface of the **B-Bottom Guide Rail** and in this groove drill 1/8" (3mm) screw holes located 4" (102mm) in from each end and the other two 4" (102mm) from the center. Drill all the way through both sides of the **B-Bottom Guide Rail**. Secure the **B-Bottom Guide Rail** to the door frame using the **H-#6 x 1-3/4" (44mm) Phillips Screws**. Do not over tighten.



## 6. SUPPORT BOTTOM GUIDE RAIL

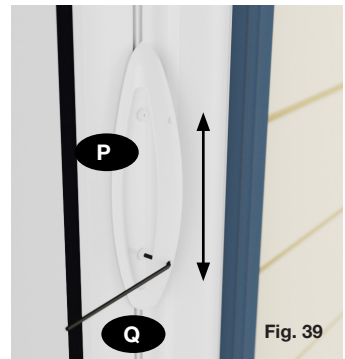
If the **B-Bottom Guide Rail** will be positioned where it is susceptible to being stepped upon, kicked or otherwise bent, add a structural support for the **B-Bottom Guide Rail** to rest upon [FIG.38]. A 3/4" x 3/4" (20mm x 20mm) "L" shaped aluminum extrusion is recommended. This or another similar support material may be purchased at a local hardware store.

**IMPORTANT:** The **B-Bottom Guide Rail** must always be fully supported.



## 7. ADJUSTING THE HANDLES

Adjust the **P-Handle** heights by loosening the Allen-Head Screws, move the **P-Handle** as desired and retighten screws. For your convenience, the **Q-Allen Wrench** is located in the accessory kit for this step [FIG. 39].

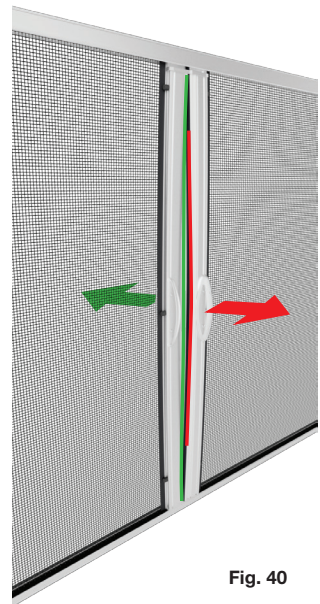


## OPERATION INSTRUCTIONS:

To open the screen, grasp both handles and release the magnet by slightly flexing the pull bar [FIG. 40]. Once the magnetic seal has been released let go of the handles and allow the screen to retract by itself. **NEVER PUSH THE SCREEN CLOSED.** For safety the screen is designed to retract at a set speed. Pushing it closed any faster may cause the screen to come out of the track, roll unevenly and cause damage to the fabric or other components.

That's it. Enjoy your new Genius Retractable Screen!

For more great retractable screen ideas for your home, please visit [www.geniusscreens.com](http://www.geniusscreens.com).



## TROUBLESHOOTING GUIDE

### **I CAN'T GET MY RECESS MOUNT CLIPS TO LOCK ONTO THE CASSETTE.**

- ▶ Shim the clips outwards if your opening is not square, level or plumb.
- ▶ Ensure the clips are not at an angle.
- ▶ Slide the clips a little bit away from the brickmold if needed.

### **I CAN'T GET MY SLIDE BOLT TO WORK WITH A THRESHOLD TRANSITION.**

- ▶ The Slide Bolt can be mounted on the exterior or interior of the unit.
- ▶ With a hack saw, notch a slot large enough for the Slide Bolt. The Slide Bolt Receiver will not be used on the bottom.

### **THE PULL BAR IS TIGHT IN ONE LOCATION, OR THE SCREEN SLOWS DOWN AT SPECIFIC LOCATIONS.**

- ▶ Check shimming as the guide rails may need to be re-shimmed in those locations.
- ▶ Clean any debris from inside the bottom guide.
- ▶ Check to see if a Top Pull Bar End Cap is dragging somewhere on the Top Guide Rail. If so, the opening may be imperfect (e.g. have high or low spots) that may require that the aluminum Pull Bar be trimmed down.
- ▶ Check the Top and Bottom Guides for screws that may not have been driven flush into the Guides, causing the Screen to drag.

### **THE PULL BAR DOESN'T STAY IN THE TRACK WHEN OPERATING.**

- ▶ Ensure the unit is square, level and plumb.
- ▶ Ensure the Top and Bottom Guides are not bowed or twisted.
- ▶ Open and operate the screen only as directed [Fig. 40].

### **THE SCREEN CASSETTE END CAP WITH THE SPRING WAS REMOVED AND MY UNIT NO LONGER HAS TENSION.**

- ▶ Please reach out to Customer Service for assistance.

### **THE SCREEN IS DAMAGED.**

- ▶ Please reach out to Customer Service for assistance.

### **THERE IS NO ROOM FOR THE SLIDE BOLT RECEIVER ON MY INSTALLATION.**

- ▶ The Slide Bolt Assesory Lock is optional and may not always be compatible. Try mounting the Slide bolt on the interior/ exterior of the unit.

**INSTALLATION QUESTIONS? MISSING PARTS? REPLACEMENT PARTS?**

**DON'T GO BACK TO THE STORE!**  
PLEASE CALL OUR HELPLINE AT  
**1-866-523-9511**



*This retractable screen provides insect protection and support fresh, natural ventilation in lower wind conditions. The wind speed that a retractable screen can withstand (e.g. before the edges of the screen fabric may push out of a guide rail), will depend on the width and height of the opening, the openness factor of the specific screen fabric, if the wind is steady or gusty and, other design factors of the model.*

*Retractable Screens are not appropriate for windy locations and, the screen should not remain continually open, be persistently exposed to wind, sun, rain or other harsh conditions or, used to retain people, pet or, keep out creatures. Retract the screen when not being actively used and, use the screen only during lower wind conditions.*

*Before retracting a Genius Retractable Screen, always check that the edges of the screen fabric are riding completely inside the tracks and guide rails. If necessary, use your fingers or a soft smooth instrument to position the edges of the fabric inside the guide rails before retracting the screen.*